

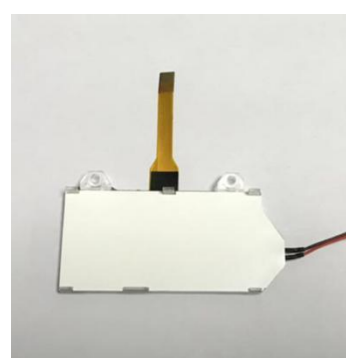
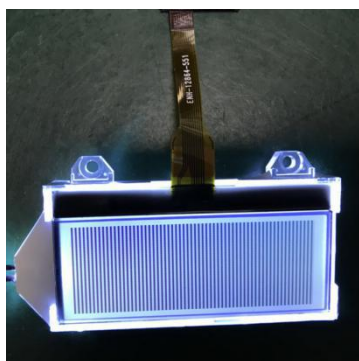
Description:

The model name is ENH-DG128064-04,white background with black character,serial SPI interface,drive IC ST7567,large applied in industrial control.Enrich Electronics is the professional LCD manufacturer in China.

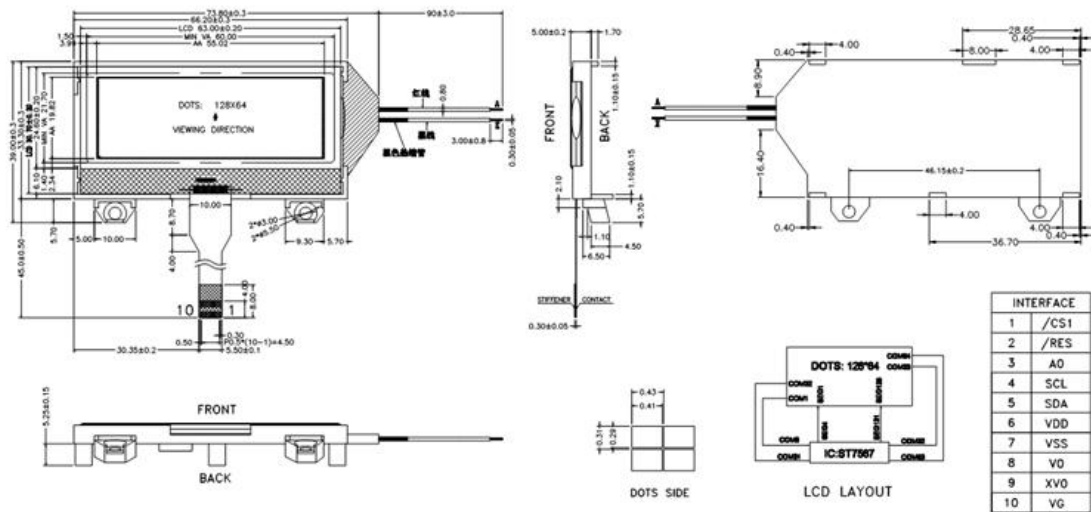
Specifications:

1.Product name :	ENH-DG128064-04
2.Size:	73.80x39.00mm
3.Viewing area :	60.00x21.70mm
4.Active area :	55.02x19.82mm
5.Resolution:	128X64
6.Display type :	FSTN/Trans-missive/Positive
7.Viewing angle:	6 O'clock
8.Drive method :	1/65 duty, 1/9 bias
9.Working temp :	-20℃~+70℃
10.Storage temp :	-30℃~+80℃
11.Connector:	COG+FPC
12.Drive IC :	ST7567
13.Backlight :	1 pcs green led backlight
14.Interface:	Serial SPI
15.Voltage:	$V_{op}=8.0V$, $V_{dd}=3.0V$

Detail images:



Display drawing:



Specifications:

1. Display Mode: FSTN/Transmissive/Positive.
2. Viewing Angle: 6 O'clock.
3. Drive Method: 1/65 Duty, 1/9 Bias, $V_{op}=8.0V$, $V_{dd}=3.0V$.
4. Top: $-20^{\circ}C \sim +70^{\circ}C$, $T_{st}: -30^{\circ}C \sim +80^{\circ}C$.
5. Connector: COG+FPC.
6. Drive IC: ST7567
7. Backlight: White $I=15mA$
8. With " * " Mark Dimensions Are Important Dimensions.

Customer's Application:



LCD for mini POS



LCD for hand-held device

FAQ:

Q: May I have your company profile?

A: Yes, our company was founded in 2012, which specializes in custom LCD more than six years; our customers are from USA, Turkey, India, Italy, Netherlands, Mexico, Brazil and other countries. Our factory is in Shenzhen, Guangdong Province, warmly welcome your factory visit.

Q: I want the LCD module display 4 digits and the outline size is 100mm*60mm.....?

A: OK, no problem. Just tell me your size and display content, we could help you design and choose the most suitable LCD type for you.

Contact us:



Shenzhen Enrich Electronics Co., Ltd



Cassie Huang

[Tel: +86-755-27864416](tel:+86-755-27864416)

Fax: +86-755-27864653

Mobile: +86 159 8936 6182

Email: cassie@rxdisplay.com

Wechat: 18296551775

Whatsapp: + 86 182 9655 1775

Skype: live:cassie_1191