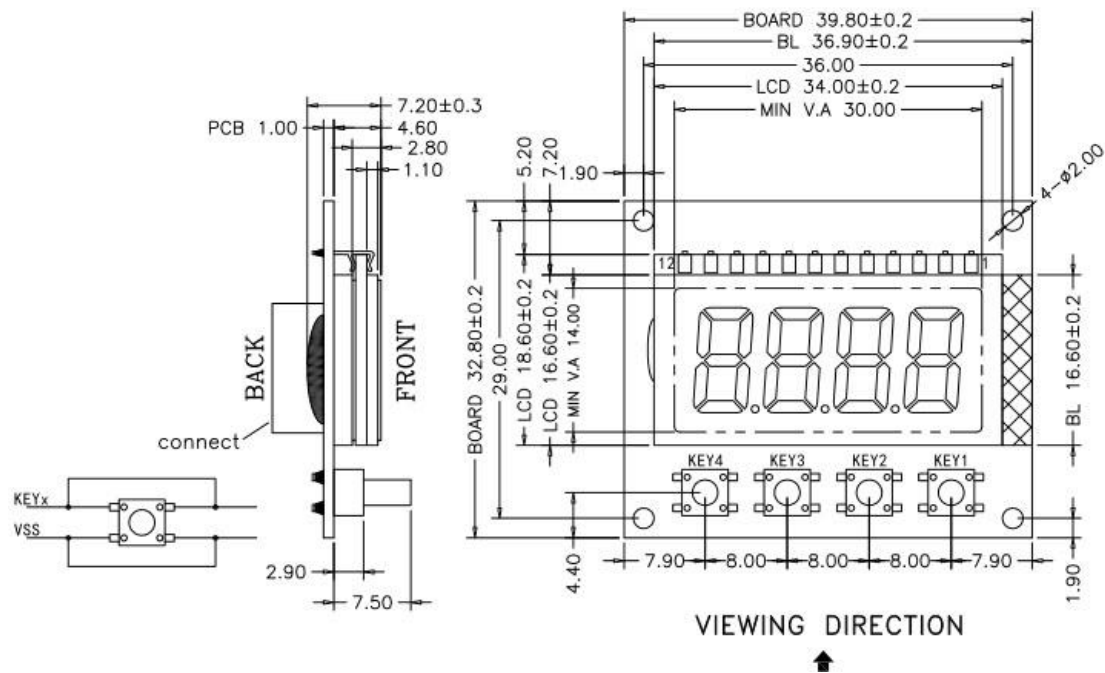


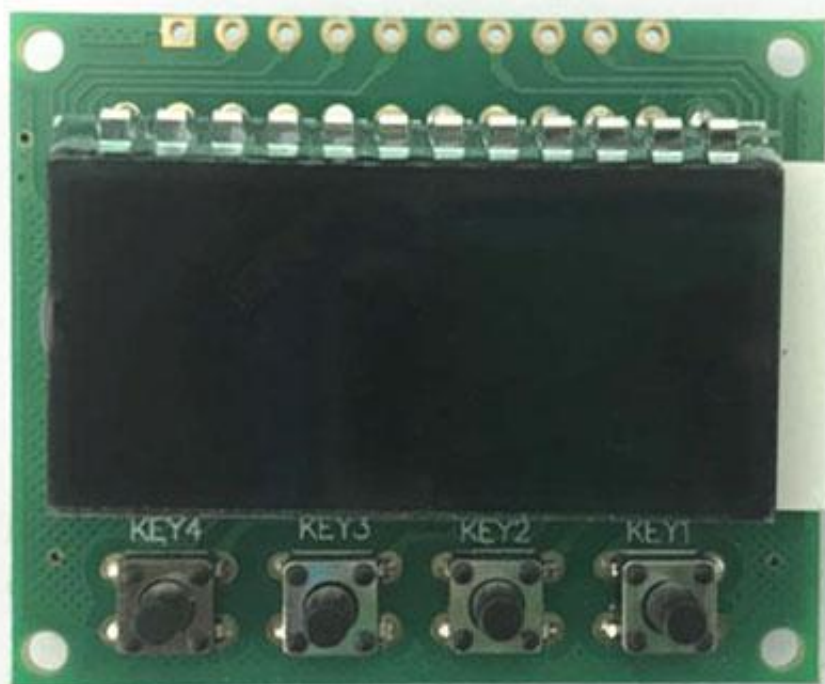
Description

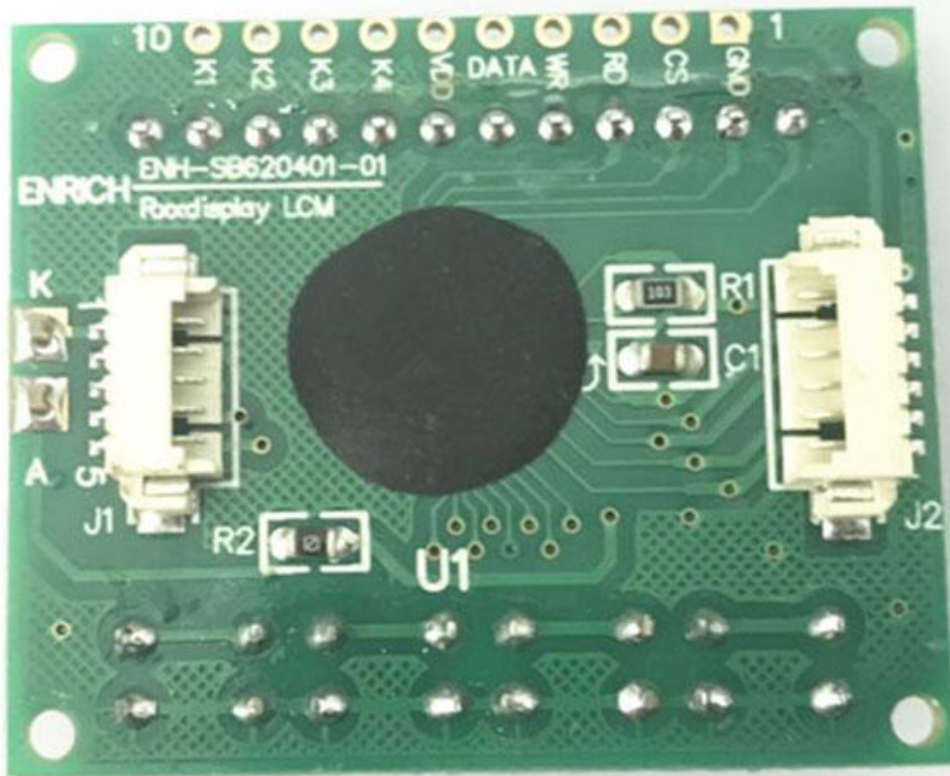
Customize LCD/LCM are welcome. We can offer various options on backlight type, pin and connector, cable, touch panel, heater or even customized PCB for your product application. Here is one of the customized segment LCD for your reference.

Segment LCD Drawing



Segment LCD Pictures





FAQ

Q1. What is your terms of packing?

A: Generally, we pack our goods in color boxes and brown cartons. If you have legally registered patent, we can pack the goods in your branded boxes after getting your authorization letters.

Q2. What is your terms of delivery?

A: EXW, FOB, CFR, CIF, DDU.

Q3. Do you test all your goods before delivery?

A: Yes, we have 100% test before delivery

Q4: How do you make our business long-term and good relationship?

A: We keep good quality and competitive price to ensure our customers benefit;

We respect every customer as our friend and we sincerely do business and make

friends with them, no matter where they come from.

Contact Us



Shenzhen Enrich Electronics Co., Ltd

Leanna Zheng

Tel: +86 755 27864416

Fax: +86 755 2786463

Email: leanna@rxdisplay.com

We Chat: L90093

Mobile/ Skype/ Whats App: +86 159 8936 8202